

design

reverse engineering
mould manufacture

die casting

finishing

machining

surface treatment

highest quality

DEMO
CASTERS

Aluminium and Zinc Diecasting

ABOUT US

Demo Casters Private Limited, manufactures high accuracy and precision moulds, tools, jigs and fixtures, as well as Pressure Die Casts high quality castings and finishes the same, as per the customer's needs.

We have been in the casting business for 3 generations now. What started off as a family business way back in 1952, by Mr. H.R.Bijlani, the Founder and Pioneer of Die Casting in India, under the banner of M/s Hararwalla Engineering Works, then branched out into M/s Demo Casters Pvt. Ltd. In the year 1986, started by Mr. Vijay Bijlani.

Demo Casters Pvt. Ltd. Specializes in producing the highest quality castings out of all the regular types of Zinc and Aluminium alloys, including special grade alloys and those with high percentage of magnesium as well.

Our founder, The Late Mr. Vijay Bijlani, was an Engineer from Buhler Brothers, Switzerland. He also did his Post Graduation there in Mould and Tool Design and Production Engineering. He later worked with Buhler Brothers in Uzwil, for 10 years, wherein he gained his invaluable experience in Swiss and German ways of Quality and precision Mould Making and also mastered superior die casting techniques. Through his Years, he passed on all this invaluable knowledge to his Son, Mr. Vinay Bijlani (the Current Managing Director) and the Team of Demo Casters.

Our Managing Director, Mr. Vinay Bijlani, is a Production Engineer, who has also undergone training in the field of Die casting, in Germany and Taiwan. Over the years, under the guidance of our founder, he added a host of semi and full automations to our processes including the addition of fully automated, robotic machinery for die casting, new age finishing solutions, a state of the art powder coating division and also put us on the world map with our own range of world class casting and enclosure products.

Today we are a 250 plus person, strong team of Dedicated Technocrats, Engineers and Workers, who have only one motto, "Growth by way of Total Customer Satisfaction."



3 Generations of Casting

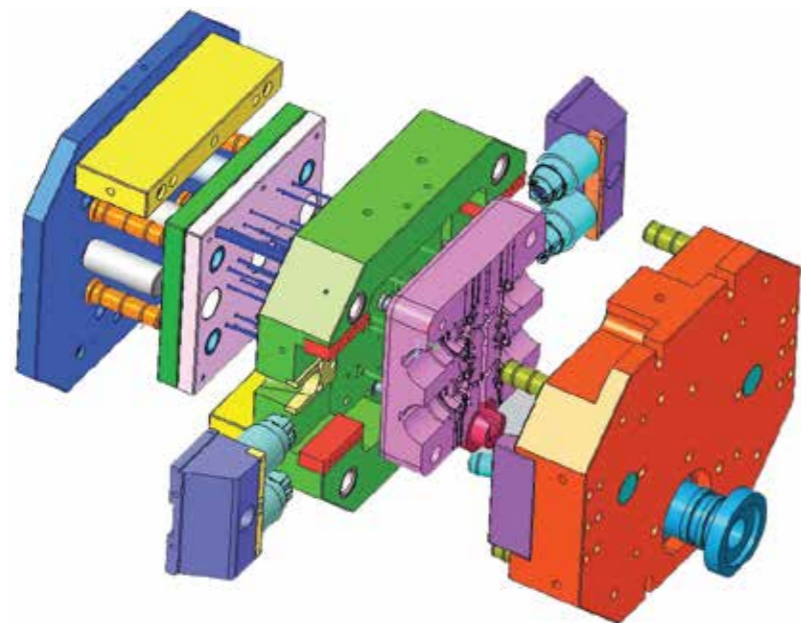
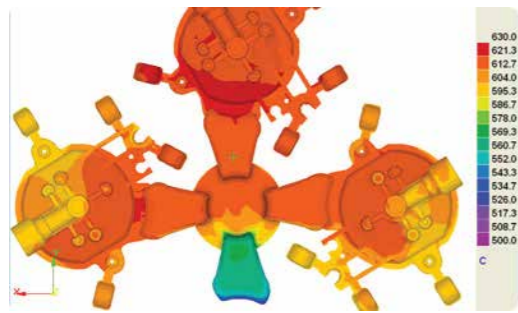
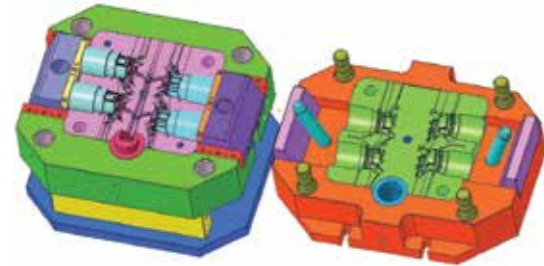


VISION: TO BE A WORLD LEADING MANUFACTURER AND SUPPLIER OF CASTING PRODUCTS AND SERVICES .

MISSION: TO ACHIEVE OUR VISION OF BEING A WORLD LEADER IN THE CASTING INDUSTRY, BY ACHIEVING TOTAL CUSTOMER SATISFACTION. GROWING POSITIVELY WITH CONSTANT INNOVATION AND PERFECT QUALITY.

VALUES: TO ENVISAGE OUR VISION & MISSION BY UPHOLDING PRINCIPLES & ACTIONS THAT ARE ENVIRONMENTALLY FRIENDLY, SOCIALLY UPLIFITING & MORALLY CORRECT.

DESIGN



Demo Casters Has its own design department, where it caters to the entire design needs of its customers. This includes Product part drawings, Tool Designs, 2D as well as 3D modelling, assembly drawings, prototype designs, reverse engineering, finite element analysis and even structure analysis if needed by the customer.

We also undertake Mould Flow Analysis and Thermal Scans of Tools, if required by the customer.

Our design team also assists the customers many times to improve the design of their parts by way of small changes or Cost Reduction by way of lowering the weight of the parts by innovative design.

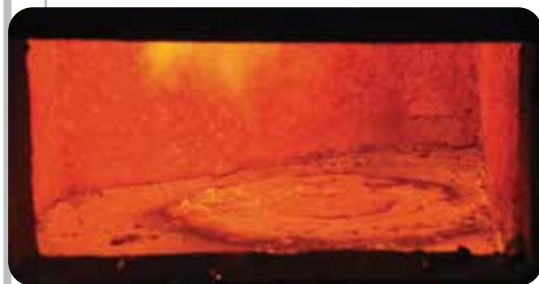
We use the Latest 2D & 3D software, which are compatible with Industries across the globe.

MOULD MANUFACTURE

Demo Casters Has a team of outstanding Tool Makers, Machinists and Fitters, in its Tool Room, which undertakes the manufacture of all the Die Casting Mould, required by its customers for production of castings. It also manufactures all the trimming tools, machining fixtures, special purpose jigs and fixtures to aid in the smooth and effective manufacture of world class components for its customers. We use some of the most sophisticated and New Age machinery in our Tool Manufacture. These include, Makino and Haas CNC Machining Centres, Mitsubishi and Makino Wire Cut Machines, Agie Charmilles, Makino and Chmer Isocut and Roboform EDM Machines, Okomoto and Chevalier Surface Grinders, Praga Cylindrical Grinders and a host of other ultra modern and precision machineries. We also take the aid of optical measurements by CMM for critical dimensions and precision mould making. We take great pride in the fact that we build Precision Tools with the Best available Materials, which surpass not only our guaranteed tool life, but most importantly, the customers' expectations, by leaps and Bounds.



DIE CASTING



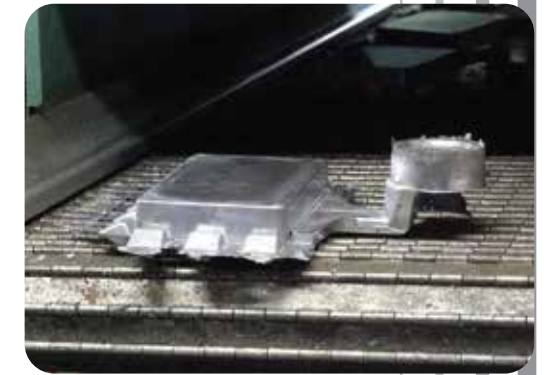
Demo Casters Is equipped with Die Casting machines ranging from 80 Tonne Locking Force to 400 Tonne locking force. Our Battery of Machines includes, 80 Ton, 120 Ton, 150/180 Ton and 350/400 Ton machines. The machines are from some of the best machine manufacturers from Switzerland, Germany, Japan and Taiwan.

All the machines are PLC controlled with many cutting edge features like, opening and closing dampening valves, which protect the tools from damage due to jerks and shocks, TFI (turbulence Free Injection) systems or Parashot, which eliminated any kind of turbulence, air pick up or jerking in the injection stage of molten metal, which results in better, porosity free castings with enhanced surface and mechanical properties. Also the machines have a capability of storing over 300-500 preset die settings for each product to enable fool proofing.

We also have fully automatic robotic machines which are unmanned right from the metal loading into the furnace by trolley, to auto inject and die spray, followed by auto extract by robot and up to final casting delivered via conveyor.

Electrical and HSD Fuel Fired furnaces are used for melting and holding the alloy. These are world class equipments with temperature variations of as less as 1 degree. The furnaces are thyristor controlled and are extremely energy efficient. Only Silicon Carbide crucibles are used in the furnaces, so that no contamination or iron pick up occurs in the molten bath.

Special lubricants and water based release agents (polymer film type) are used by us to enhance surface finish and aid in smooth and clean casting processes. Also special high grade fluxes are used for dross removal and cleaning the molten baths to give us the best possible final metal specifications.



FINISHING



TRIMMING

Trimming of the castings is carried out on Hydro-Pneumatic Presses as well as conventional presses. Special purpose presses with bottom cylinders for ejection have also been custom built for our special needs. All the presses are equipped with safety devices like, 2 Hand operation switches and some have light curtains installed for added safety. Compressed air lines are provided via foot switches for blow off of trimmed shavings and chips.



MACHINING

We undertake all types of machining including, drilling, tapping (roll/form or cutting), reaming, burnishing, special purpose diamond turning, thread chasing, taper drilling or groove cutting operations.

Machining is undertaken on either CNC machines, SPM's, conventional machines or high precision machines like Schaublin Lathes.



VIBROFINISHING

We use high quality vibrofinishing and drying equipment from Ceramed-Walter Throwing as well as fully automated equipment from Acton Finishing (UK). Various grades of deburring and polishing media in ceramic or plastic and non toxic compounds are used by us to achieve truly amazing surface finishes on various components. All the equipments are timer controlled for automated and precise operations.



POWDER COATING

Pro Casters has a state of the art powder coating plant which uses German, Wagner equipment (PLC controlled Spray Guns), ovens and Ovens. Arguably the best equipment in the world, along with a specially designed fully automatic Pre Treatment plant with a unique 9 tank process. This helps to achieve truly some of the best and most durable powder coated finishes in the industry.

We also have a complete Laboratory and exhaustive Test facility to test and check the powder coated parts as per ASTM Standards.



OTHER SURFACE TREATMENT

A full range of surface treatments and plating options are available with us ranging from Hot Dip Zinc passivation, to zinc plating, nickel chrome plating, Nickel Satin plating, CMD/KTL coating, anodizing or painting or any other type of surface treatment required by the customer.

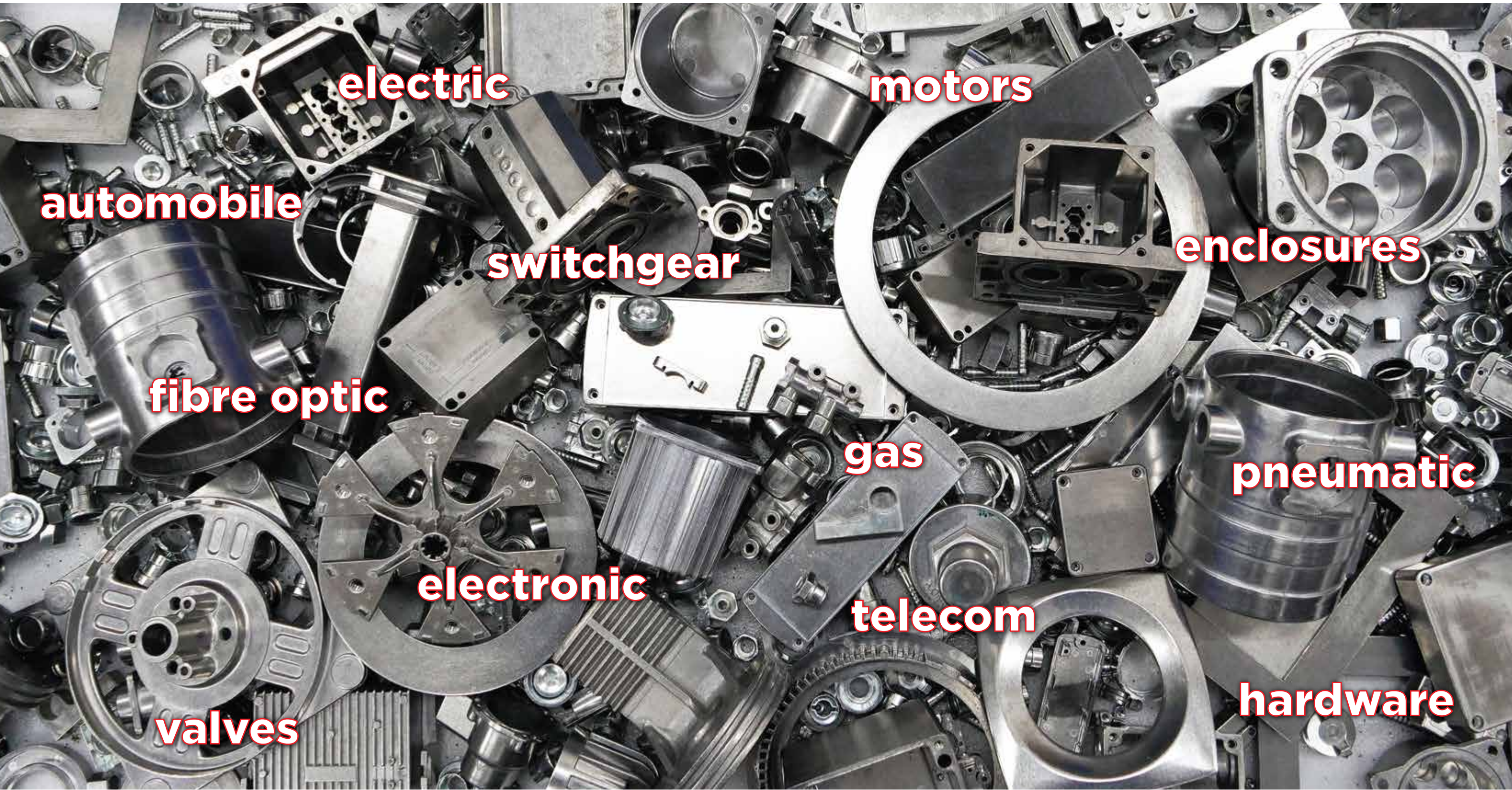


ASSEMBLY AND TESTING

We also undertake special assemblies for our customers. If they also require any special type of testing to be carried out on the parts, for example mechanical stress testing or RA value testing for the surface, we can get the same carried out at our end.



PRODUCTS



ENCLOSURES

HEAVY DUTY IP68 ALUMINIUM ENCLOSURES



QUALITY



A dedicated team, comprising of a number of trained quality engineers, makes sure that all the required quality needs of the customer are taken care of, by way of dimensional checks, surface finish, machined accuracy, drilled and tapped dimensional checks, RA value checks, regular in process gauging and dimensional checks, supported by Cp & CpK inspection methodology .

We further undertake the manufacture of special purpose gauges for the various stages of production activity so that quality can be maintained even at the grass root level of the worker.

Checking by way of Optical measurement devices like CMM or Trimoss are also undertaken by us for high accuracies and difficult measuring surfaces.

We have a fully equipped and ultra modern Test Laboratory and facility for testing the powder coated parts as per ASTM standards. This in house lab regulates and assists our production team to get some industry leading quality for our powder coated parts.

We follow and comply with the Quality Management System as per DIN EN ISO 9001:2015, Environmental Management System DIN EN ISO 14001:2015 and Occupational Health and Safety Management System BS OHSAS 18001:2007.

CERTIFICATIONS

BS OHSAS 18001:2007 Occupational Health And Safety Management System

Certificate Of Registration

Geotek Global Certification Pvt. Ltd.

hereby certify that the organization

Demo Casters Pvt. Ltd.

Unit 1 : D10, Ansa Industrial Estate, Andheri East, Chandraji, Andheri (E), Mumbai 400072, Maharashtra, India
 Unit 2 : 26, Mandi Group, Industrial Estate, Mandi Naka, Andheri (E), Mumbai 400058, Maharashtra, India
 Unit 3 : Road No. 6, Nanda Ind. Estate, Shivajinagar Road, Plot No.115, Marvee No.22, Regpada, Village - Dowlal Gao, Kanan Bhawan Road, Palghar 401205, Maharashtra, India

has implemented and maintains an **Occupational Health And Safety Management System** for

Scope :
Manufacture and Supply of Aluminium & Zinc Alloy Pressure Die Castings

An audit was performed and proof has been furnished that the management system fulfils the requirements of international standard detailed below :-

Standard : **BS OHSAS 18001:2007**
 Certificate No. : **16.GGCS.EN.18072**
 Certification Date : **30th March 2017**
 Cert. Expiry Date : **29th March 2020**

Reg. No. 40/0000014/0118

Mohammed
Chief Executive Officer
 Geotek Global Certification Pvt. Ltd.
 315, Raj Lagan, Near Bandpada Phase 3, CSE, CR Road,
 Thane (West), Pin 400607, Maharashtra, India

Geotek Global Certification Pvt. Ltd. is accredited by International Management Accreditation Board (Singapore)
 11, Selegie Road, #07-01/11, Singapore 349605. Phone No. +65 43989977, Fax No. +65 43741261

The continued validity of the certificate is conditional to compliance with the terms and the conditions of Geotek Global Certification Pvt. Ltd. - Certification Scheme Regulation. Validity of the certificate may be verified on following website: www.geotek.co.uk and accreditation body's website: www.imab.com



ISO 9001:2015 Quality Management System

Certificate Of Registration

Geotek Global Certification Pvt. Ltd.

hereby certify that the organization

Demo Casters Pvt. Ltd.

Unit 1 : D10, Ansa Industrial Estate, Andheri East, Chandraji, Andheri (E), Mumbai 400072, Maharashtra, India
 Unit 2 : 26, Mandi Group, Industrial Estate, Mandi Naka, Andheri (E), Mumbai 400058, Maharashtra, India
 Unit 3 : Road No. 6, Nanda Ind. Estate, Shivajinagar Road, Plot No.115, Marvee No.22, Regpada, Village - Dowlal Gao, Kanan Bhawan Road, Palghar 401205, Maharashtra, India

has implemented and maintains a **Quality Management System** for

Scope :
Manufacture and Supply of Aluminium & Zinc Alloy Pressure Die Castings

An audit was performed and proof has been furnished that the management system fulfils the requirements of international standard detailed below :-

Standard : **ISO 9001:2015**
 Certificate No. : **13.GGCS.EN.09231**
 Certification Date : **18th September 2007**
 Re-certification Date : **30th March 2017**
 Cert. Expiry Date : **29th March 2020**

Reg. No. 40/0000014/0118

Mohammed
Chief Executive Officer
 Geotek Global Certification Pvt. Ltd.
 315, Raj Lagan, Near Bandpada Phase 3, CSE, CR Road,
 Thane (West), Pin 400607, Maharashtra, India

Geotek Global Certification Pvt. Ltd. is accredited by International Management Accreditation Board (Singapore)
 11, Selegie Road, #07-01/11, Singapore 349605. Phone No. +65 43989977, Fax No. +65 43741261

The continued validity of the certificate is conditional to compliance with the terms and the conditions of Geotek Global Certification Pvt. Ltd. - Certification Scheme Regulation. Validity of the certificate may be verified on following website: www.geotek.co.uk and accreditation body's website: www.imab.com

ISO 14001:2015 Environmental Management System

Certificate Of Registration

Geotek Global Certification Pvt. Ltd.

hereby certify that the organization

Demo Casters Pvt. Ltd.

Unit 1 : D10, Ansa Industrial Estate, Andheri East, Chandraji, Andheri (E), Mumbai 400072, Maharashtra, India
 Unit 2 : 26, Mandi Group, Industrial Estate, Mandi Naka, Andheri (E), Mumbai 400058, Maharashtra, India
 Unit 3 : Road No. 6, Nanda Ind. Estate, Shivajinagar Road, Plot No.115, Marvee No.22, Regpada, Village - Dowlal Gao, Kanan Bhawan Road, Palghar 401205, Maharashtra, India

has implemented and maintains an **Environmental Management System** for

Scope :
Manufacture and Supply of Aluminium & Zinc Alloy Pressure Die Castings

An audit was performed and proof has been furnished that the management system fulfils the requirements of international standard detailed below :-

Standard : **ISO 14001:2015**
 Certificate No. : **16.GGCS.DL.14099**
 Certification Date : **30th March 2017**
 Cert. Expiry Date : **29th March 2020**

Reg. No. 40/0000014/0118

Mohammed
Chief Executive Officer
 Geotek Global Certification Pvt. Ltd.
 315, Raj Lagan, Near Bandpada Phase 3, CSE, CR Road,
 Thane (West), Pin 400607, Maharashtra, India

Geotek Global Certification Pvt. Ltd. is accredited by International Management Accreditation Board (Singapore)
 11, Selegie Road, #07-01/11, Singapore 349605. Phone No. +65 43989977, Fax No. +65 43741261

The continued validity of the certificate is conditional to compliance with the terms and the conditions of Geotek Global Certification Pvt. Ltd. - Certification Scheme Regulation. Validity of the certificate may be verified on following website: www.geotek.co.uk and accreditation body's website: www.imab.com



LOCATIONS



HEAD OFFICE AND MANUFACTURING FACILITY

INDIA

DEMO CASTERS PRIVATE LIMITED
 D10, Ansa Industrial Estate,
 Andheri East, Mumbai 400072,
 India.
 Mr. Vinay Bijlani
 Managing Director
 Mobile : +91 9820012796
 director@democasters.com

NORTH AMERICA

ELECTRONEX INC
 2906 Hancock Dr
 Frisco, TX 75033
 Texas, USA.
 Tel : +91 9820619811
 Mr. Kaizad R Dadyburjor
 Managing Director
 kaiz.d@electronexinc.com

EUROPE



EFA GmbH
 Mollwitzstrasse 2
 14059 Berlin, Germany.
 Tel: +49 30 3011187
 Mobile: +49 1752185521
 Mr. Maximilian von Puttkamer
 Managing Director
 Email : max@efa-berlin.com

EFA France SAS
 3 rue Claude Chappe
 ZA La Haute Limougere
 37230 Fondettes - France
 Mobile: +33 630163014
 Mr. Benoit Beaumont
 Managing Director
 b.beaumont@efa-france.com

AUSTRALIA



GROVE COMMUNICATION
 SUPPLIES PTY LTD
 8 Port Kembla Drive
 Bibra Lake, WA, 6163
 Tel : +61 407175296
 Mr. Paul Rankin
 Managing Director
 paul@grovecoms.net.au



DEMO
CASTERS
www.democasters.com

Demo Casters Private Limited
D10, Ansa Industrial Estate,
Andheri East,
Mumbai 400072, India.
Phone : +91 22 28470038
Email : info@democasters.com